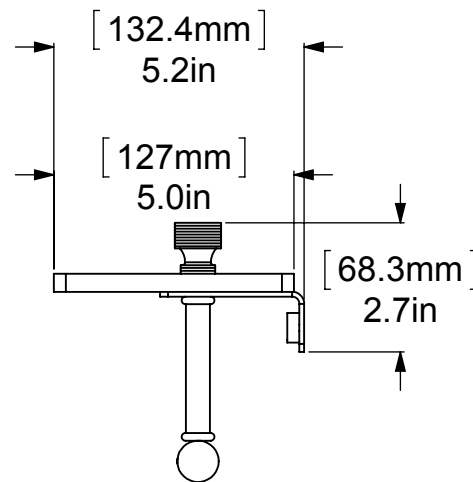
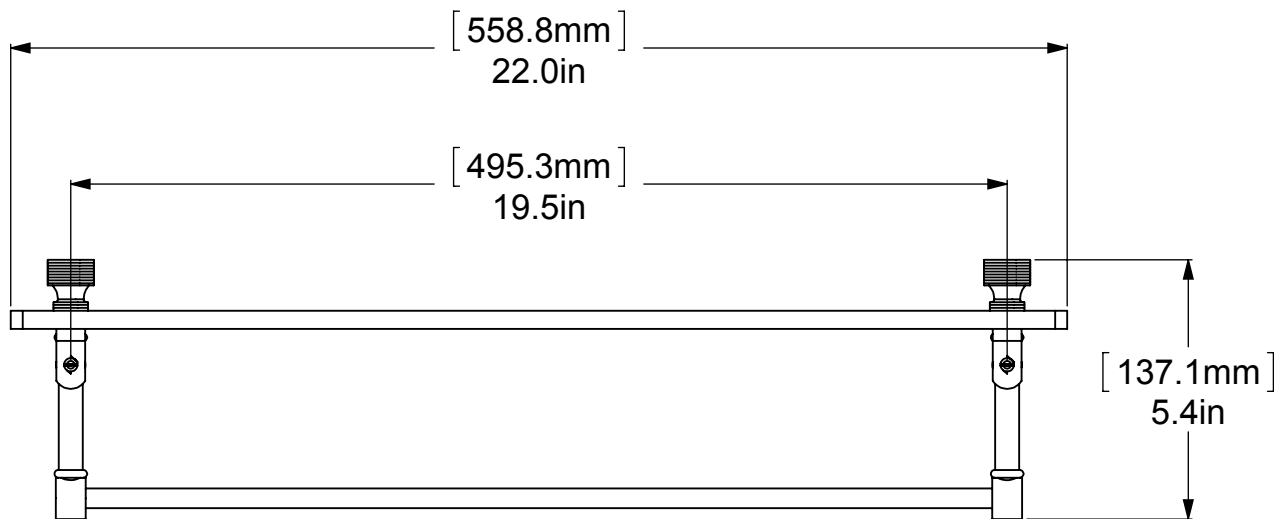
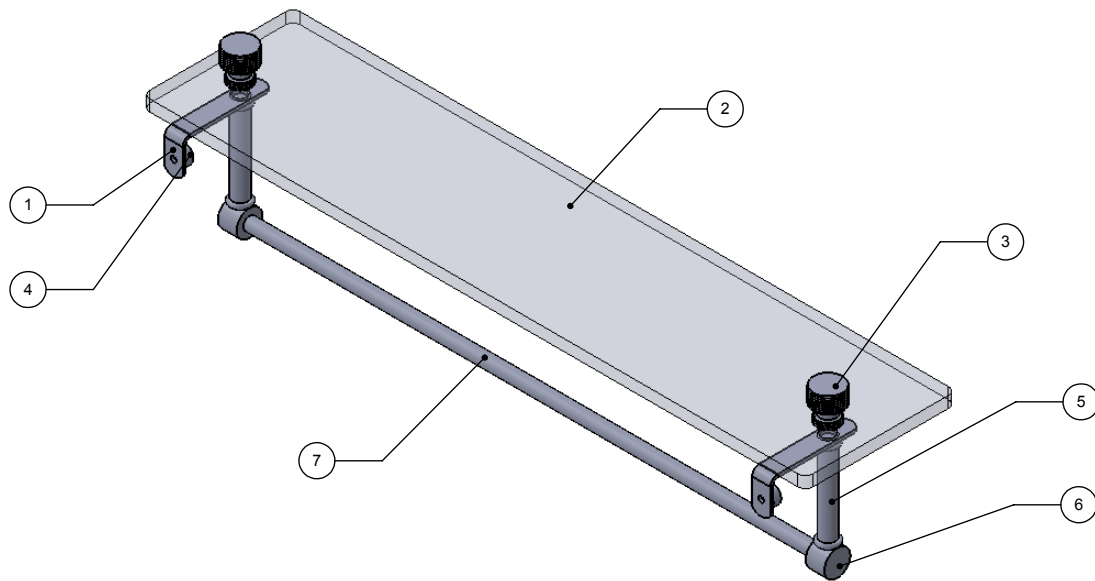


ITEM NO.	P/N	Description	QTY.
1	BKSH-2AD	BRACKET	2
2	GLRT-22	GLASS	2
3	FT-FT	END CAP	2
4	CARD-58	LOCK	2
5	TU12-3	TUBE SUPPORT	2
6	HBBTT-78	END HUB	2
7	TU38-19.5	TUBE	1



UNLESS OTHERWISE STATED	
.X	±.3mm
.XX	±.15mm
.XXX	±.008mm

COPYRIGHT © Allied Brass 2016

THIRD ANGLE PROJECTION

DRAWN	7/5/2016	I.M.	MATERIAL:	BRASS		FINISH	TBD
CHECKED	7/5/2016	P.D.	DESCRIPTION:		QUANTITY	TBD	
APPROVED	7/5/2016	R.A.	SHELF WITH TOWEL BAR		DRAWING No.	REV	
					FT-1-22TB		0
				SCALE	1:4	SHEET: 01	A4